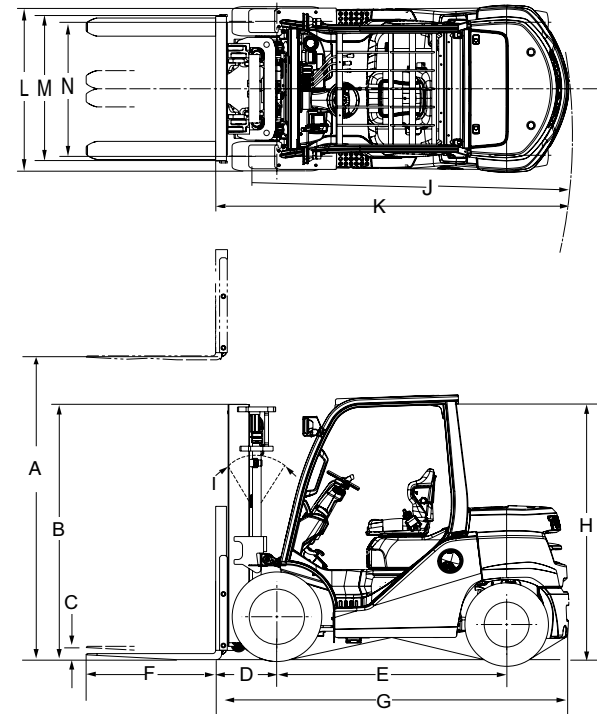


8,000 – 17,500 lbs. • Truck Dimensions



8FG35U model shown above

8,000 – 10,000 lbs. • Mast Specifications

8FG/8FD35U & 8FG/8FD40U

Mast Type	Maximum Fork Height (top of forks)	Overall Height				Free Lift		8FG/8FD35U				8FG/8FD40U			
		Lowered	Extended		Without Load Backrest	With Load Backrest	Single Tire		Optional Dual Tires		Single Tire		Optional Dual Tires		
			Without Load Backrest	With Load Backrest			Tilt Range	Load Capacity @ 24" Load Center	Tilt Range	Load Capacity @ 24" Load Center	Tilt Range	Load Capacity @ 24" Load Center	Tilt Range	Load Capacity @ 24" Load Center	
	in.	in.	in.	in.	in.	in.	deg.	deg.	lbs.	deg.	deg.	lbs.	deg.	deg.	lbs.
V	120	83.1	151.6	168.1	4.3	4.3	6	12	8000	6	12	8000	6	12	9000
	132	90.2	163.4	179.9	4.3	4.3	6	12	8000	6	12	8000	6	12	9000
	147.5	98	179.1	195.7	4.3	4.3	6	12	8000	6	12	8000	6	12	9000
	159.5	107.9	190.9	207.5	4.3	4.3	6	12	8000	6	12	8000	6	12	9000
	179	117.7	210.6	227.2	4.3	4.3	6	12	8000	6	6	9000	6	12	9000
	199	127.6	230.3	246.9	4.3	4.3	6	6	7800	6	12	7800	6	6	9000
FV	120	83.1	152.8	168.1	50.4	35.0	6	12	8000	6	12	8000	6	12	9000
	132	90.2	164.6	179.9	57.5	42.1	6	12	8000	6	12	8000	6	12	9000
FSV	159.5	78.4	192.1	207.5	45.7	30.3	6	6	8000	6	6	8000	6	6	9000
	171.5	83.1	203.9	219.3	50.4	35.0	6	6	8000	6	6	8000	6	6	9000
	187	90.2	219.7	235	57.5	42.1	6	6	7700	6	6	7700	6	6	9000
	199	94.1	231.5	246.9	61.4	46.1	6	6	7500	6	6	7500	6	6	9000
	218.5	100.0	251.2	266.5	67.3	52	6	6	6200	6	6	7250	6	6	9000
	238	107.9	270.9	286.2	75.2	59.8	6	6	4600	6	6	7050	6	6	7280

Note: Height of standard load backrest is 48 in.

8FG/8FD45U

Mast Type	Maximum Fork Height (top of forks)	Overall Height				Free Lift		Single Tire				Optional Dual Tires			
		Lowered	Extended		Without Load Backrest	With Load Backrest	Tilt Range		Load Capacity @ 24" Load Center		Tilt Range		Load Capacity @ 24" Load Center		
			Without Load Backrest	With Load Backrest			Without Load Backrest	With Load Backrest	FWD	BWD	Without Load Backrest	With Load Backrest	FWD	BWD	
	in.	in.	in.	in.	in.	in.	deg.	deg.	lbs.	lbs.	lbs.	lbs.	lbs.	lbs.	
V	120	86.6	146.7	168.1	4.3	4.3	6	12	10000	6	12	10000	6	12	10000
	132	92.5	158.5	179.9	4.3	4.3	6	12	10000	6	12	10000	6	12	10000
	147.5	102.4	174.2	195.7	4.3	4.3	6	12	10000	6	12	10000	6	12	10000
	159.5	110.2	186	207.5	4.3	4.3	6	12	10000	6	12	10000	6	12	10000
	179	120.1	205.7	227.2	4.3	4.3	6	6	10000	6	12	10000	6	12	10000
	199	129.9	225.4	246.9	4.3	4.3	6	6	8850	6	12	9750	6	12	9750
FV	120	86.6	147.2	168.1	59.5	38.6	6	12	10000	6	12	10000	6	12	10000
	132	92.5	159.1	179.9	65.4	44.5	6	12	10000	6	12	10000	6	12	10000
FSV	159.5	83.5	186.8	207.5	56.3	35.4	6	6	10000	6	6	10000	6	6	10000
	171.5	86.6	198.6	219.3	59.5	38.6	6	6	9750	6	6	9750	6	6	9750
	187	92.5	214.4	235	65.4	44.5	6	6	9300	6	6	9700	6	6	9700
	199	96.5	226.2	246.9	69.3	48.4	6	6	8800	6	6	8800	6	6	9450
	218.5	102.4	245.9	266.5	75.2	54.3	6	6	6650	6	6	6650	6	6	9000
	238	110.2	265.6	286.2	83.1	62.2	6	6	5150	6	6	5150	6	6	8600

Note: Height of standard load backrest is 48 in.

11,000 – 17,500 lbs. • Mast Specifications

8FG/8FD50U

Mast Type	Maximum Fork Height (top of forks)	Overall Height				Free Lift		Single Tire		Optional Dual Tires		
		Lowered	Extended		Without Load Backrest	With Load Backrest	Tilt Range		Load Capacity @ 24" Load Center	Tilt Range		Load Capacity @ 24" Load Center
			Without Load Backrest	With Load Backrest			Without Load Backrest	With Load Backrest		FWD	BWD	
	in.	in.	in.	in.	in.	in.	deg.	deg.	lbs.	lbs.	lbs.	
V	120.5	96.5	153.7	174.6	4.9	4.9	6	12	11000	6	12	11000
	132.5	102.4	165.6	186.4	4.9	4.9	6	12	11000	6	12	11000
	148	110.2	181.3	202.2	4.9	4.9	6	12	11000	6	12	11000
	160	120.1	193.1	214	4.9	4.9	6	12	11000	6	12	11000
	179.5	129.9	212.8	233.7	4.9	4.9	6	6	11000	6	12	11000
	199.5	139.8	232.5	253.4	4.9	4.9	6	6	9000	6	12	10600
FSV	160	89.4	194.3	214	55.1	35.4	6	6	10800	6	6	10800
	172	92.5	206.1	225.8	58.3	38.6	6	6	10600	6	6	10600
	187.5	96.5	221.9	241.5	62.2	42.5	6	6	9500	6	6	10200
	199.5	102.4	233.7	253.4	68.1	48.4	6	6	9000	6	6	10000
	219	110.2	253.4	273	76.0	56.3	6	6	6800	6	6	9500
	239	120.1	273	292.7	85.8	66.1	6	6	5300	6	6	9000

Note: Height of standard load backrest is 54 in.

8FG/8FD60U & 8FG/8FD70U

Mast Type	Maximum Fork Height (top of forks)	Overall Height				Free Lift		8FG/D60U		8FG/D70U		
		Lowered	Extended		Without Load Backrest	With Load Backrest	Tilt Range		Load Capacity @ 24" Load Center	Tilt Range		Load Capacity @ 24" Load Center
			Without Load Backrest	With Load Backrest			Without Load Backrest	With Load Backrest		FWD	BWD	
	in.	in.	in.	in.	in.	in.	deg.	deg.	lbs.	lbs.	lbs.	
V	120.5	96.9	156.7	174.6	4.9	4.9	6	12	13500	6	12	15500
	132.5	102.8	168.5	186.4	4.9	4.9	6	12	13500	6	12	15500
	140.5	106.7	176.4	194.3	4.9	4.9	6	12	13500	6	12	15500
	148	110.6	184.3	202.2	4.9	4.9	6	12	13500	6	12	15500
	179.5	130.3	215.8	233.7	4.9	4.9	6	12	13200	6	12	15500
	219	150	255.1	273	4.9	4.9	6	12	12500	6	12	14600
FSV	160	92.9	196.9	214	56.1	39	6	6	13300	6	6	15500
	172	96.9	208.7	225.8	60	42.9	6	6	12900	6	6	14800
	187.5	100.4	224.4	241.5	63.6	46.5	6	6	12400	6	6	14600
	199.5	110.6	236.2	253.4	73.8	56.7	6	6	11650	6	6	13700
	219	120.5	255.9	273	83.7	66.5	6	6	10800	6	6	12700
	239	122.4	275.6	292.7	85.6	68.5	6	6	9850	6	6	11600

Note: Height of standard load backrest is 54 in.

8FG/8FD80U

Mast Type	Maximum Fork Height (top of forks)	Overall Height				Free Lift		Tilt Range		Load Capacity @ 24" Load Center
		Lowered	Extended		Without Load Backrest	With Load Backrest	Tilt Range			
			Without Load Backrest	With Load Backrest			Without Load Backrest	With Load Backrest	FWD	BWD
	in.	in.	in.	in.	in.	in.	deg.	deg.	lbs.	
V	121	102.8	160.8	174.8	5.1	5.1	6	12	17500	
	132.5	106.7	172.6	186.6	5.1	5.1	6	12	17500	
	140.5	110.6	180.5	194.5	5.1	5.1	6	12	17500	
	148.5	120.5	188.4	202.4	5.1	5.1	6	12	17500	
	180	140.2	219.9	233.9	5.1	5.1	6	12	17500	

Note: Height of standard load backrest is 54 in.



Some product features described herein are optional. Please consult your dealer for specifications. Details and specifications of equipment are based on information available at the time of printing and may change without notice.

00722-8P856-613 8/13
Litho in U.S.A.

© 2013 Toyota Material Handling, U.S.A., Inc.
www.toyotaforklift.com



8,000 - 17,500

PNEUMATIC
GAS LPG DIESEL



8,000 – 17,500 lbs. • Standard Features

PERFORMANCE

- EPA/CARB certified engine
- Toyota 4-cylinder, 3.0L DOHC Tier 4 Final (Diesel Oxidation Catalyst) diesel engine (1KD)
- Toyota 4-cylinder, 3.7L OHV gasoline engine (1FS)
- UL “G” diesel engine
- UL “D” diesel engine
- Automatic fork leveling
- Independent brake & inching pedals
- Double Action Parking Brake (Hand)
- Integrated monitoring system - includes:
 - *Digital hour meter display*
 - *Engine coolant temperature gauge*
 - *Fuel gauge (except LPG only models)*
 - *Check engine light*
 - *Sedimentor warning light (diesel only)*
 - *Glow indicator light (diesel only)*
 - *Engine oil pressure warning light*
 - *Battery charge warning light*
 - *OPSS activation light*

- Full floating powertrain
- Hydraulic valve lifters
- Integrated head light and turn signal lever
- Electric shift control
- Alternator with built-in regulator 60A (gas) / 80A (diesel)
- Automatic transmission with oil cooler
- 2-stage limited free lift mast (V)
- Adjustable headlights with guards

SAFETY

- System of Active Stability™ (SAS)
- Operator Presence Sensing System (OPSS)
- Bolt-on overhead guard
- Key lowering interlock
- Electric horn
- Neutral start safety switch
- Asbestos free components
- Speed control (technician programmable)

DURABILITY

- Control Area Network (CAN-bus) communication
- Fully-stamped steel side panels
- Moisture resistant electric connectors
- High cooling capacity radiator
- Large capacity engine cooling fan
- Tilt cylinder boots
- 8" cyclone air cleaner
- Plate iron front fenders
- Stamped steel engine hood
- Anti-restart ignition key switch
- Air-to-air intercooler Fully-sealed air-
- Fully-sealed air-intake system
- Class III hook carriage
- Class IV hook carriage (8,000, 9,000 and 10,000 lb. models)
- Class IV hook carriage (11,000,13,500, 15,500 and 17,500 lb models)

- Dash mounted instrument display
- 11.8" diameter two-spoke steering wheel
- Load sensing power steering
- Hydrostatic power steering
- Heavy-duty non-slip rubber floor mat
- 12" long dual operator assist grips
- Heavy-duty non-slip floor mat
- Cowl-mount hydraulic control levers with rubber boot covers
- Low wide entry steps
- Low profile front cowl
- Non-cinching seat belt

- Dash integrated amenity tray and oversized cup holder
- 4-way adjustable vinyl full-suspension seat
- Slim profile, tilt steer column

SERVICEABILITY

- Easy access no-tools floorboard
- Engine hood assist damper with lock device
- Air cleaner discharge valve
- Easy lift engine hood with wide 75 degree opening
- Easy access to common service items such as filters and dipsticks

8,000 – 17,500 lbs. • Optional Equipment

- Travel Speed/Acceleration Control System
- Multifunction digital display with self-diagnostics and engine protection system
- Intelli-Shift
- Mini-lever controls with Ergo-Shift
- Synchronized steering
- Combination brake and inching pedal
- EZ-Pedal foot directional control
- Steering wheel with knob
- Steel cab
- Hydraulic accumulator
- Front combination lights
- High mount rear combination lights
- Strobe lights
- LED front headlights
- LED rear worklight
- LED rear combination lights
- LED reverse activated rear work light
- 4-way adjustable cloth full-suspension seat
- Swivel seat
- Orange seat belt
- Box fin radiator
- Fire extinguisher
- Upswept exhaust system
- 2-stage (FV) & 3-stage (FSV) full free lift masts
- Hang-on sidershifters
- Integral sidershifter (select models)
- Integral sidershifting fork positioner (select models)
- Polished and tapered forks
- Pre-cleaner for air intake
- Rear-view mirrors
- Rear assist grip with horn
- Back-up alarms
- Solid pneumatic tires (front & rear)
- Dual drive tires (selected models)
- 12 Volt power supply

8,000 – 11,000 lbs. • Truck Specifications

Models		8FG35U	8FD35U	8FG40U	8FD40U	8FG45U	8FD45U	8FG50U	8FD50U
Load Capacity (at 24" Load Center)	lbs.	8000		9000		10,000		11,000	
Body/Frame Construction		Welded steel body and frame							
Steering Type		Load sensing power steering							
Brakes		Hydraulic (hand)							
Transmission	Type	Automatic transmission with reverse-phase type 2 stator torque converter							
	Speed (fwd/rev)	1/1							
Engine	Make/Model	TOYOTA 1FS	TOYOTA 1KD	TOYOTA 1FS	TOYOTA 1KD	TOYOTA 1FS	TOYOTA 1KD	TOYOTA 1FS	TOYOTA 1KD
	Type	4-cyl.3.7L OHV gas	4-cyl.3.0L DOHC diesel	4-cyl.3.7L OHV gas	4-cyl.3.0L DOHC diesel	4-cyl.3.7L OHV gas	4-cyl.3.0L DOHC diesel	4-cyl.3.7L OHV gas	4-cyl.3.0L DOHC diesel
Piston Displacement	cu. in.	224	182	224	182	224	182	224	182
Rated Horsepower - Net rpm	SAE HP	87 @ 2350 rpm	74 @ 2200 rpm	87 @ 2350 rpm	74 @ 2200 rpm	87 @ 2350 rpm	74 @ 2200 rpm	87 @ 2350 rpm	74 @ 2200 rpm
Rated Torque - Net rpm	SAE ft-lb.	200 @ 1600 rpm	220 @ 12-1500	200 @ 1600 rpm	220 @ 12-1500	200 @ 1600 rpm	220 @ 12-1500	200 @ 1600 rpm	220 @ 12-1500

EXTERIOR DIMENSIONS

Models		8FG35U	8FD35U	8FG40U	8FD40U	8FG45U	8FD45U	8FG50U	8FD50U
A Maximum Fork Height (MFH)	in.	120	120	120	120	120	120	120.5	120.5
B Mast Lowered Height	in.	83.1	83.1	83.1	83.1	86.6	86.6	96.5	96.5
C Free Lift	in.	4.3	4.3	4.3	4.3	4.3	4.3	4.7	4.7
D Load Distance*	in.	19.9	19.9	19.9	19.9	21.5	21.5	21.9	21.9
E Wheelbase	in.	74.8	74.8	74.8	74.8	78.7	78.7	78.7	78.7
F Fork Size (TxWxL)	in.	2x6x42	2x6x42	2x6x42	2x6x42	2x6x42	2x6x42	2.4x6x48	2.4x6x48
G Length to Fork Face	in.	115.2	115.2	117.3	117.3	122.4	122.4	124.8	124.8
H Overhead Guard Height	in.	87	87	87	87	90.6	90.6	90.6	90.6
I Tilt Range (Fwd/Bwd)	deg	6/12	6/12	6/12	6/12	6/12	6/12	6/12	6/12
J Outside Turning Radius	in.	103	103	104.5	104.5	108.5	108.5	110.5	110.5
K Rt Angle Stacking Aisle Width**	in.	122.5	122.5	124.5	124.5	129.5	129.5	132.5	132.5
L Overall Width	in.	53.1	53.1	53.1	53.1	57.1	57.1	57.1	57.1
M Carriage Width	in.	46	46	46	46	46	46	46	46
N Std Tread Width (Front/Rear)	in.	43.9/43.3	43.9/43.3	43.9/43.3	43.9/43.3	45.3/43.3	45.3/43.3	45.3/43.3	45.3/43.3
Underclearance	Minimum w/ load	in.	4.7	4.7	4.7	4.7	4.7	4.7	4.7
	Center of W.B.	in.	7.9	7.9	7.9	7.9	9.1	9.1	9.1

PERFORMANCE DATA

Maximum Travel Speed	Full Load	Forward	mph	13.7	13.1	13.7	13.1	13.7	13.1	13.7	13.1
		Reverse	mph	13.7	13.1	13.7	13.1	13.7	13.1	13.7	13.1
	No Load	Forward	mph	15	14.4	15	14.4	15	14.4	15.0	14.4
		Reverse	mph	15	14.4	15	14.4	15	14.4	15.0	14.4
Lifting Speeds (V mast)	Full Load	fpm	103	103	103	103	94	94	94	94	
	No Load	fpm	108	108	108	108	102	102	102	102	
Lowering Speeds (V mast)	Full Load	fpm	104	104	104	104	106	106	106	106	
	No Load	fpm	94	94	94	94	96	96	94	96	
Maximum Drawbar Pull	Full Load	lbs	7900	8100	7900	8100	7900	8100	7900	8100	
	No Load	lbs	3200	3230	3090	3120	3750	3590	3770	3810	
Maximum Gradeability	Full Load	%	42	43	38	39	34	35	31	31	
	No Load	%	24	24	21	21	22	22	21	21	

TRUCK WEIGHTS

Gross Weight (empty)			lbs	12570	12750	13380	13560	14580	14750	15740	15920
Weight Distribution	Full Load	Front	lbs	18310	18360	19750	19790	22020	22060	24030	24100
		Rear	lbs	2260	2390	2630	2770	2560	2690	2710	2820
	No Load	Front	lbs	5620	5670	5470	5510	6240	6280	6610	6680
		Rear	lbs	6950	7080	7910	8050	8340	8470	9130	9240

FUEL CAPACITY

Gasoline Fuel Tank	US gal	24	24	24	24	32	32	32	32
--------------------	--------	----	----	----	----	----	----	----	----

ATTACHMENT

Auxiliary Function Pressure Relief	psi	2630	2630	2630	2630	2630	2630	2630	2630
Auxiliary Function Flow Rate (max)	gpm	33.8	33.8	33.8	33.8	33.8	33.8	33.8	33.8

TIRES

Type (front/rear)		Pneumatic/Pneumatic							
Size	Drive (Front)	250-15-18PR		250-15-18PR		300-15-20PR		300-15-20PR	
	Steer (Rear)	7.00-12-12PR		7.00-12-12PR		7.00-12-12PR		7.00-14-14PR	

* Centerline of front axle to front face of forks

** Add load length and clearance

13,500 – 17,500 lbs. • Truck Specifications

Models		8FG60U	8FD60U	8FG70U	8FD70U	8FG80U	8FD80U
Load Capacity (at 24" Load Center)	lbs.	13,500		15,500		17,500	
Body/Frame Construction		Welded steel body and frame					
Steering Type		Load sensing power steering					
Brakes		Hydraulic (hand)					
Transmission	Type	Automatic transmission with reverse-phase type 2 stator torque converter					
	Speed (fwd/rev)	1/1					
Engine	Make/Model	TOYOTA 1FS	TOYOTA 1KD	TOYOTA 1FS	TOYOTA 1KD	TOYOTA 1FS	TOYOTA 1KD
	Type	4-cyl.3.7L OHV gas	4-cyl.3.0L DOHC diesel	4-cyl.3.7L OHV gas	4-cyl.3.0L DOHC diesel	4-cyl.3.7L OHV gas	4-cyl.3.0L DOHC diesel
Piston Displacement	cu. in.	224	182	224	182	224	182
Rated Horsepower - Net rpm	SAE HP	93 @ 2550 rpm	74 @ 2200 rpm	93 @ 2550 rpm	74 @ 2200 rpm	93 @ 2550 rpm	74 @ 2200 rpm
Rated Torque - Net rpm	SAE ft-lb.	200 @ 1600 rpm	220 @ 1200-1500 rpm	200 @ 1600 rpm	220 @ 1200-1500 rpm	200 @ 1600 rpm	220 @ 1200-1500rpm

EXTERIOR DIMENSIONS

Models		8FG60U	8FD60U	8FG70U	8FD70U	8FG80U	8FD80U
A Maximum Fork Height (MFH)	in.	120.5	120.5	120.6	120.6	120.8	120.8
B Mast Lowered Height	in.	96.8	96.8	96.8	96.8	102.8	102.8
C Free Lift	in.	4.9	4.9	4.9	4.9	5.1	5.1
D Load Distance*	in.	22.8	22.8	23	23	23.2	23.2
E Wheelbase	in.	88.6	88.6	88.6	88.6	88.6	88.6
F Fork Size (TxWxL)	in.	2.4x6x48	2.4x6x48	2.6x6x48	2.6x6x48	2.8x6x48	2.8x6x48
G Length to Fork Face	in.	137.4	137.4	139.6	139.6	141.3	141.3
H Overhead Guard Height	in.	90.9	90.9	90.9	90.9	90.9	90.9
I Tilt Range (Fwd/Bwd)	deg	6/12	6/12	6/12	6/12	6/12	6/12
J Outside Turning Radius	in.	127	127	129	129	130.5	130.5
K Rt Angle Stacking Aisle Width**	in.	150	150	152	152	154	154
L Overall Width	in.	77.4	77.4	77.4	77.4	77.4	77.4
M Carriage Width	in.	67	67	67	67	67	67
N Std Tread Width (Front/Rear)	in.	56.7/57.5	56.7/57.5	56.7/57.5	56.7/57.5	56.7/57.5	56.7/57.5
Underclearance	Minimum w/ load	in.	4.9	4.9	4.9	4.9	4.9
	Center of W.B.	in.	9.8	9.8	9.8	9.8	9.8

PERFORMANCE DATA

Maximum Travel Speed	Full Load	Forward	mph	11.8	11.8	11.8	11.8	11.8	11.8
		Reverse	mph	11.8	11.8	11.8	11.8	11.8	11.8
	No Load	Forward	mph	13	13	13	13	13	13
		Reverse	mph	13	13	13	13	13	13
Lifting Speeds (V mast)	Full Load	fpm	81	81	81	81	81	73	
	No Load	fpm	87	87	87	87	87	87	
Lowering Speeds (V mast)	Full Load	fpm	104	104	104	104	104	104	
	No Load	fpm	94	94	94	94	94	94	
Maximum Drawbar Pull	Full Load	lbs	10350	10350	10350	10350	10150	10150	
	No Load	lbs	4700	4730	4480	4520	4440	4480	
Maximum Gradeability	Full Load	%	34	34	30	30	26	26	
	No Load	%	24	24	21	21	19	19	

TRUCK WEIGHTS

Gross Weight (empty)			lbs	18460	18590	19910	20040	21790	21920
Weight Distribution	Full Load	Front	lbs	28910	28980	31680	31740	34760	34830
		Rear	lbs	3050	3110	3730	3800	4530	4590
	No Load	Front	lbs	8270	8340	7960	8020	7940	8010
		Rear	lbs	10190	10250	11950	12020	13850	13910