

33,000 – 51,000 lbs • Mast Specifications

4FD150

Mast Type	Maximum Fork Height (top of forks)	Overall Height		Free Lift	Dual Tire		Load Capacity at 36" Load Center
		Lowered	Extended		Tilt Range		
					FWD	BWD	
	in.	in.	in.	in.	deg.	deg.	lbs.
V	121.7	129.5	188.6	0	6	12	33069
	133.5	135.4	200.4	0	6	12	33069
	141.3	139.4	208.3	0	6	12	33069
	149.2	143.3	216.1	0	6	12	33069
	161.0	149.2	228.0	0	6	12	33069
	180.7	159.1	247.6	0	6	12	33069
	200.4	176.8	275.2	0	6	12	33069
	220.1	186.6	294.9	0	6	12	30865
239.8	196.5	314.6	0	6	12	28660	

4FD180

Mast Type	Maximum Fork Height (top of forks)	Overall Height		Free Lift	Dual Tire		Load Capacity at 36" Load Center
		Lowered	Extended		Tilt Range		
					FWD	BWD	
	in.	in.	in.	in.	deg.	deg.	lbs.
V	121.9	139.8	198.8	0	6	12	39683
	133.7	145.7	210.6	0	6	12	39683
	141.5	149.6	218.5	0	6	12	39683
	149.4	153.5	226.4	0	6	12	39683
	161.2	159.4	238.2	0	6	12	39683
	180.9	169.3	257.9	0	6	12	39683
	200.6	187.0	285.4	0	6	12	39683
	220.3	196.9	305.1	0	6	12	35274
240.0	206.7	324.8	0	6	12	33069	

4FD200

Mast Type	Maximum Fork Height (top of forks)	Overall Height		Free Lift	Dual Tire		Load Capacity at 36" Load Center
		Lowered	Extended		Tilt Range		
					FWD	BWD	
	in.	in.	in.	in.	deg.	deg.	lbs.
V	122	140.9	200	0	6	12	44092
	133.9	146.9	211.8	0	6	12	44092
	141.7	150.8	219.7	0	6	12	44092
	149.6	154.7	227.6	0	6	12	44092
	161.4	160.6	239.4	0	6	12	44092
	181.1	170.5	259.1	0	6	12	44092
	200.8	188.2	286.6	0	6	12	44092
	220.5	198	306.3	0	6	12	39683
240.2	207.9	326	0	6	12	37479	

4FD230

Mast Type	Maximum Fork Height (top of forks)	Overall Height		Free Lift	Dual Tire		Load Capacity at 36" Load Center	Load Capacity at 48" Load Center
		Lowered	Extended		Tilt Range			
					FWD	BWD		
	in.	in.	in.	in.	deg.	deg.	lbs.	lbs.
V	122	143.7	202.8	0	6	12	50706	43340
	133.9	149.6	214.6	0	6	12	50706	43340
	141.7	153.5	222.4	0	6	12	50706	43340
	149.6	157.5	230.3	0	6	12	50706	43340
	161.4	163.4	242.1	0	6	12	50706	43340
	181.1	173.2	261.8	0	6	12	50706	43340
	200.8	190.9	289.4	0	6	12	50706	43340
	220.5	200.8	309.1	0	6	12	46297	39600
240.2	210.6	328.7	0	6	12	44092	37840	

LARGE CAPACITY PNEUMATIC 33,000 - 51,000 lbs.



SPECIFICATIONS

Some product features described herein are optional. Please consult your dealer for specifications. Details and specifications of equipment are based on information available at the time of printing and may change without notice.

00722-72002-908
Litho in U.S.A. (2M)

© 2009 Toyota Material Handling, U.S.A., Inc.
www.toyotaforklift.com
♻️ Printed on recycled paper



33,000 – 51,000 lbs • Standard Features

DURABILITY

- Wet disc brakes with dedicated oil cooling system
- Air brakes with air dryer
- AxleTech planetary drive axle
- Engine protection system
- Rigidly constructed box type welded frame
- High cooling capacity radiator with fan shroud
- Large capacity engine cooling fan
- Fully oil charged lift cylinders
- Rubber mounted hydraulic system
- Low maintenance battery
- Cyclone air cleaner

SAFETY

- Operator Presence Sensing System (OPSS)
- Air-horn
- UL D conformity
- Asbestos free components
- Neutral safety switch
- Key lift interlock on hydraulics
- Wideview enclosed steel cabin
- ORS seat
- Auto parking brake system

PERFORMANCE

- EPA/CARB certified diesel engine
- Hino 7.68 liter, 6-cylinder diesel engine (J08E-UM)
 - Common-rail electronic fuel injection
 - Turbocharged and intercooled
 - Water cooled EGR valve
 - Quick-glow system
- 24V electrical system
- Automatic 2-speed transmission with a 2-stator torque converter (2 FWD/1 REV)
- 2-function hydraulic control valve (lift and tilt)
- Upswept exhaust
- Grammer cloth full suspension seat with armrests
- Independent brake and inching pedals
- Integrated monitoring system-
 - Hour meter display
 - Fuel gauge
 - Low fuel warning light
 - Engine coolant level warning light
 - Engine oil pressure warning light
 - Battery charge warning light
 - Torque converter oil temperature warning light
 - Check engine light
 - Pre-heat indicator light
 - Sediment warning light
 - Brake warning light
 - SAS warning light (synchronized steering)
 - Engine water temperature indicator
 - Speedometer
 - Brake air pressure gauge
- Full hydraulic power steering with synchronized steering
- Electric parking brake
- Warning buzzer for parking brake (release)
- 2-stage limited free lift wide visible mast (V)
- Manual fork positioner (V mast only)
- Headlights
- Turn signal lights (4 lights)
- Rear combination lights
- Back-up light
- Rear working lights
- Rear-View Mirrors (Right and Left)
- Rear-View Mirror

ERGONOMICS

- Short-throw hydraulic controls
- Left-hand shift lever
- Heater and defroster
- Tilt steering column
- Long operator assist grips
- Air conditioning
- Non-slip rubber floor mat
- Tinted glass

SERVICEABILITY

- Engine monitoring system
- Tilttable cabin
- Centralized grease lubrication (mast, rear axle)
- All wheel rotatable tires

33,000 – 51,000 lbs • Optional Equipment

- Backward 2-speed transmission (2 FWD/2 REV)
- Swivel seat
- Overhead guard sheet
- Steering wheel with knob
- Window visor RH & LH
- Cyclone air cleaner (dual elements)
- Pre-cleaner
- High capacity battery
- Engine oil quick drain
- Right-hand shift lever
- Spare tire
- Mud guard (front & rear)
- Strobe light
- Front working light on the diff. housing
- Front working light
- Reading lamp
- Read-under mirror
- Loudspeaker
- Hydraulic sideshifter
- Hydraulic fork positioner
- Hydraulic sideshifting fork positioner

33,000 – 51,000 lbs • Truck Specifications

Models		4FD150	4FD180	4FD200	4FD230
Load Capacity	lb	33000	40000	44000	51000/43340
Load Center	in	36	36	36	36/48
Body/Frame Construction		Welded steel body and frame			
Steering Type		Hydrostatic power steering with synchronized steering			
Brakes		Air over hydraulic (foot)			
Transmission	Type	Powershift			
	Speeds (fwd/rev)	2/1			
Hino Engine	Model	HINO J08E-UM			
	Type	6 cylinder diesel			
Voltage/Capacity		V/Ah	24/96	24/96	24/96
Rated Horsepower - Net rpm		SAE HP	172 @ 2300 rpm	172 @ 2300 rpm	172 @ 2300 rpm
Rated Torque - Net rpm		SAE ft-lb	472 @ 6200 rpm	472 @ 6200 rpm	472 @ 6200 rpm

EXTERIOR DIMENSIONS

		in	188.6	198.8	200	202.8	
A	Mast Extended Height	in	188.6	198.8	200	202.8	
B	Mast Lowered Height	in	129.5	139.8	140.9	143.7	
C	Maximum Fork Height (MFH)	in	121.7	121.9	122	122	
D	Load Distance ¹	in	34.6	35.6	37.2	37.2	
E	Wheelbase	in	143.7	143.7	143.7	143.7	
F	Fork Size (TxWxL)	in	3.5x9.8x71.7	3.7x9.8x71.7	3.9x9.8x71.7	3.9x12.2x96.1	
G	Length to Fork Face	in	207.3	208.3	211.4	218.3	
H	Overhead Guard Clearance	in	133.9	135	136.4	136.4	
I	Tilt Range (forward/backward)	deg	6/12	6/12	6/12	6/12	
J	Outside Turning Radius	in	194.9	194.9	196.9	204.7	
K	Basic Right Angle Stacking Aisle Width ²	in	211.8	230.5	234.1	241.9	
L	Overall Width	in	115.6	116.5	119.7	119.9	
M	Carriage Width	in	108.3	108.3	108.3	108.3	
N	Standard Tread Width (front/rear)	in	86.6/94.5	86.6/94.5	86.6/98.4	86.6/98.4	
O	Underclearance	Minimum w/load	in	10.2	8.7	9.8	8.9
		Center of W.B.	in	12.4	13.4	14.6	14.8

PERFORMANCE DATA

		mph	16.8	16.8	17.4	16.8
Maximum Travel Speed	full load – forward	mph	16.8	16.8	17.4	16.8
	full load – reverse	mph	13.7	14.3	14.3	14.3
	no load – forward	mph	19.9	19.9	21.1	20.5
	no load – reverse	mph	15.5	16.2	16.8	16.8
Lift Speed (V Mast only)	full load	fpm	80.7	68.9	67.9	59.1
	no load	fpm	86.6	73.8	72.8	63
Lowering Speed (V Mast only)	full load	fpm	88.6	88.6	90.6	92.5
	no load	fpm	98.4	98.4	98.4	98.4
Maximum Drawbar Pull	full load	lb	29675	28101	26303	26752
	no load	lb	15647	16613	16546	18254
Maximum Gradeability	full load	%	39	31	26	23
	no load	%	27	26	24	23

FUEL CAPACITY

Fuel Tank	US gal	105.6	105.6	105.6	105.6
		105.6	105.6	105.6	105.6

TRUCK WEIGHTS

Gross weight (empty)		lbs	48502	55116	58952	68079
Weight Distribution	front-full load	lbs	74626	86531	93763	107255
	rear-full load	lbs	6945	8267	9281	12192
	front-no load	lbs	25463	27227	27359	30247
	rear-no load	lbs	23038	27888	31592	37831

ATTACHMENT

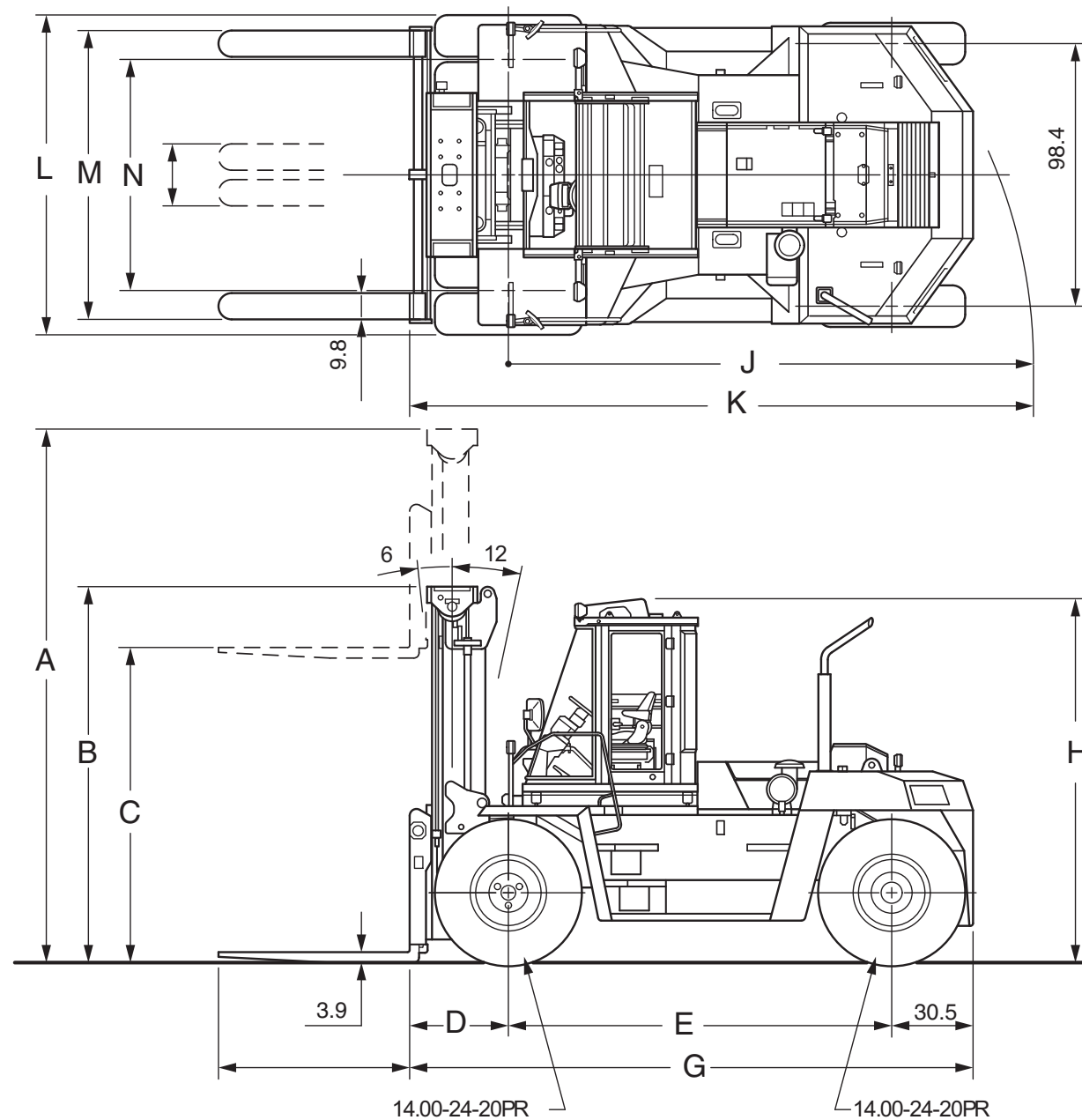
Auxiliary Function Pressure Relief	psi	2986	2631	2986	2986
Auxiliary Function Flow Rate (max)	gpm	18	18	18	18

TIRES

Type (front/rear)		Pneumatic/Pneumatic			
Size (ODxWxD)	Drive (Front)	12.00x24x16PR	13.00x24x20PR	14.00x24x20PR	14.00x24x20PR
	Steer (Rear)	12.00x24x16PR	13.00x24x20PR	14.00x24x20PR	14.00x24x20PR

1) Centerline of front axle to front face of forks.
2) Add load length and aisle clearance.

33,000 – 51,000 lbs • Truck Dimensions



4FD200 model shown above