

6-Series

ELECTRIC WALKIE COUNTERBALANCED STACKER

SPECIFICATIONS

6BWC10 - 2000 lbs

6BWC15 - 3000 lbs

6BWC20 - 4000 lbs

Toyota's walkie counterbalanced stacker is a high performing, versatile, maneuverable and easy to use lift truck. It's the perfect solution for everyday material handling duties.

Standard Features

PERFORMANCE

- 2000 lbs capacity (6BWC10)
- 3000 lbs capacity (6BWC15)
- 4000 lbs capacity (6BWC20)
- 24 Volt electrical system
- MOSFET transistor control system
- Separately excited drive motor (SEM)
- UL-approved model type E
- On/off key switch
- Programmable performance
- Electronic raise and lower controls in operator handle
- Manual raise and lower controls
- Class 'H' motor insulation
- Oil-immersed power-train

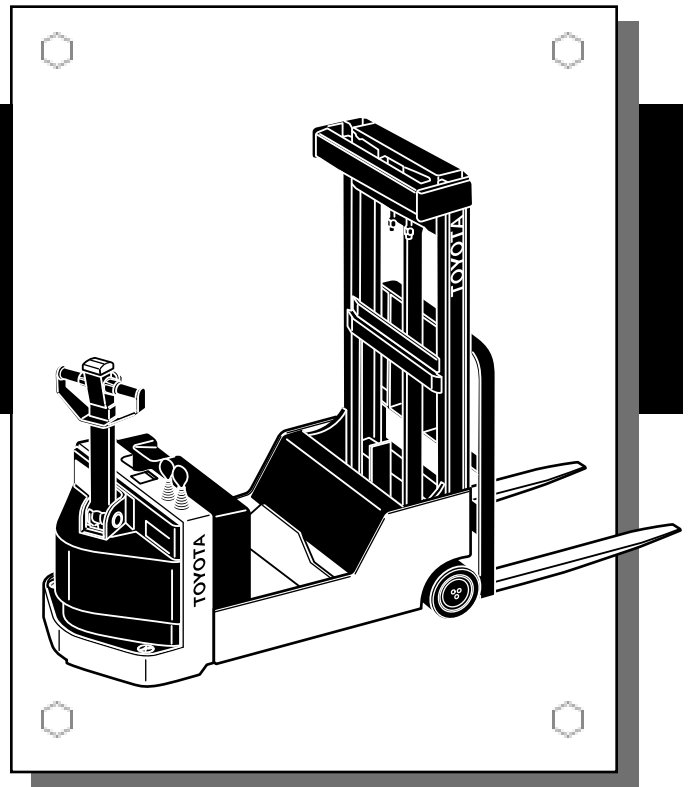
BODY/EXTERIOR DESIGN

- Electronic horn
- 32.3"x13.3" battery compartment
- 30" wide ITA Class II fork carriage
- 42" fork length
- 48" load backrest extension

- Mast tilt, 3° forward / 8° backward
- Internal hose reeving
- Rubber drive tire, 10.5"x5"
- Polyurethane load wheels, 10"x4"
- Polyurethane caster wheels, 4"x2.5"
- Fully-hinged steel service access door
- Wide view 2-stage mast (V)
- Spring-loaded torsion bar suspension with automatic load-sensing adjustment and stabilizing casters
- Drive axle mounted string guards
- Pressure overload valve & lowering control fuses

OPERABILITY & ERGONOMICS

- Emergency power disconnect switch
- Automatic resetting circuit breaker
- Reverse polarity protection
- Mechanical drum brake
- Directional thumb control
- Direction reverse switch on control handle
- Control handle with 8.5° ergonomic angle
- Power on self test with self-diagnostics



Optional Equipment

- Twist grip control handle in place of thumb control
- Hour meter
- Battery discharge indicator
- Combination battery discharge/ hour meter indicator
- Combination battery discharge/ hour meter indicator with lift interrupt
- UL-approved model type EE
- Corrosion conditioning
- Cold storage conditioning
- Audible travel alarm
- Battery compartment rollers
- Toggle switch in place of key switch
- Sideshifter
- 30", 36" or 48" fork lengths
- 36" or 44" load backrest extension
- Various drive tire compounds
- Various battery connectors
- Various strobe lights
- Various flashing beacons
- Wide view full free lift 2-stage mast (FV)
- Wide view full free lift 3-stage mast (FSV)

6BWC10.15.20 Specifications

Models	6BWC10	6BWC15	6BWC20
Load Capacity (with 24-in. load center)	2000	3000	4000
Brakes	Mechanical Drum Brake		

EXTERIOR DIMENSIONS

	in			
Carriage Width		30		
Basic Right Angle Stacking Aisle Width		See Chart		
A Maximum Fork Height (MFH)	in	128	124	
B Mast Lowered Height	in	83		
C Mast Extended Height	in	176	172	
D Free Lift	in	12	6	
E Wheelbase	in	47	52.3	58.6
F Head Length (Length to Fork Face) V mast	in	64.8	70.1	76.6
G Power Unit Width	in	34.1		
H Power Unit Height	in	32.5		
I Battery Roller Height	in	9.8		
J Tilt Range (Mast Tilt)	Fwd/Bwd	deg 3/8		
K Fork Size	TxWxL	1.5x4x42		1.75x4x42
L Fork Adjustment	Min./Max.	in 8.5/30		
M Underclearance	in	3.6		
N Outside Turning Radius	in	56.7	62	68.3
O Load Distance	in	8.1		8.3

DIMENSIONS OF BATTERY COMPARTMENT

P Battery Compartment LxW (open height)	in	32.3x13.3		
Total Weight	Without Battery	lb	3600	4800
	Battery	lb	5800	
Battery	Voltage/Capacity (6-hour ratings)	Max.	V/AH 24/650	
	Weight	Min.	lbs 950	
Electric Motors	Drive (60 min.)	hp	1.2	3.7
	Load Handling (5 min 20%)	hp	4.8	
Control Type	Drive	Transistor		
	Load Handling	Electromagnetic Contactor		

PERFORMANCE DATA

	full load	no load	mph	2.9	3	2.8
Maximum Travel Speed			mph	3.2	3.4	3.3
Lift Speed	full load	no load	fpm	37	32	27
Lowering Speed	full load	no load	fpm	44	60	42
Gradeability ¹⁾	full load/no load	% (tan θ)	6/10			

1) Trucks are designed for level floor operation. Represents ability to transverse short ramps when required.

TIRES

Type (Drive/Caster/Load)	Rubber/Polyurethane/Polyurethane		
Size (dia. x width)	Drive	in	10.5x5
	Caster	in	4x2.5
	Load	in	10x4

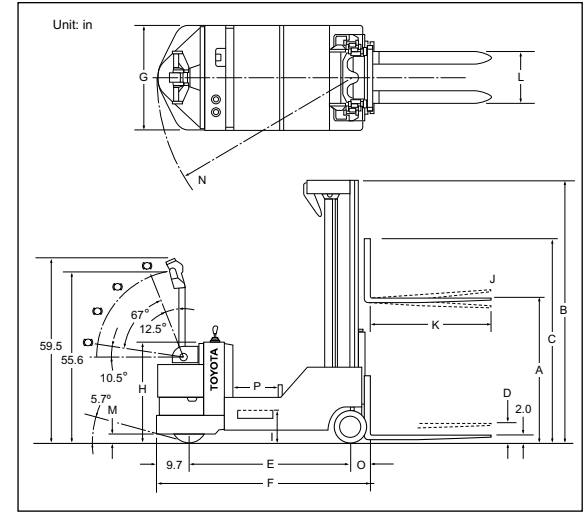
AISLE REQUIREMENTS - RIGHT ANGLE STACKING

6BWC10			6BWC15			6BWC20		
Pallet Width	Load Length		Pallet Width	Load Length		Pallet Width	Load Length	
in	in	in	in	in	in	in	in	in
30	105	111	30	110	116	30	117	123
40	104	111	40	110	116	40	116	122
48	104	110	48	109	115	48	116	122

Aisle width requirements are based on 6" clearance between each side of the load. Add a minimum of 6" to 10" for maneuverability. Add 2.5" when equipped with a side shifter.

DIMENSIONAL DRAWING

6BWC10.15.20



MAST SPECIFICATIONS & RATED CAPACITIES

6BWC10

Mast Type	Maximum Fork Height	Overall Lowered Height	Free Lift with std. 48in Load Bracket	Capacity @ 24 in LC
V	in	in	in	lb
	104	71	12	2000
	128	83	12	2000
FV	152	95	12	2000
	104	71	23	2000
	128	83	35	2000
	152	95	47	2000

Basic capacity is 2000 lbs at 24" load center. Actual capacity is dependent upon specific truck configuration. Minimum battery weight is 950 lbs. Reference Toyota's FL Manual for complete specifications.

6BWC15

Mast Type	Maximum Fork Height	Overall Lowered Height	Free Lift with std. 48in Load Bracket	Capacity @ 24 in LC
V	in	in	in	lb
	104	71	12	3000
	128	83	12	3000
FV	152	95	12	3000
	104	71	23	3000
	128	83	35	3000
	152	95	47	3000
FSV	150	71	23	3000
	180	83	35	3000
	189	87	39	3000

Basic capacity is 3000 lbs at 24" load center. Actual capacity is dependent upon specific truck configuration. Minimum battery weight is 950 lbs. Reference Toyota's FL Manual for complete specifications.

6BWC20

Mast Type	Maximum Fork Height	Overall Lowered Height	Free Lift with std. 48in Load Bracket	Capacity @ 24 in LC
V	in	in	in	lb
	100	71	6	4000
	124	83	6	4000
FSV	150	95	6	4000
	150	71	23	4000
	180	83	35	4000
	189	87	39	4000

Basic capacity is 4000 lbs at 24" load center. Actual capacity is dependent upon specific truck configuration. Minimum battery weight is 950 lbs. Reference Toyota's FL Manual for complete specifications.

Some product features described herein are optional. Please consult your dealer for specifications. Details of specifications and equipment are based on information available at time of printing and may change without notice.